

Sunpak Potrable Vlogging Kit

Use it anywhere for the perfect Vlogging experience

Portable design with 6 inch USB powered ring light with 72 high power LEDs for even lighting of your subject with great power. The Portable Vlogging Kit is designed for use with today's smartphones. It consists of 36 Daylight LED's and 36 Tungsten LED's, which can both be adjusted for intensity from 100% down to 10%. This kit also includes an 8-section tabletop to 42 inch tripod for easy mounting, as well as a ball head and an adjustable smartphone mount. It can also be used as a handheld portable unit, when keeping the legs closed and using them as a handle.

Instructions

Description of Parts:

1. 6 inch bi-color ring light
2. Smartphone Adapter with built-in shoe mount
3. Shoe mount adapter with 1/4"-20 screw
4. Tabletop to 42 in tripod
5. Leg Angle Adjustment Ring

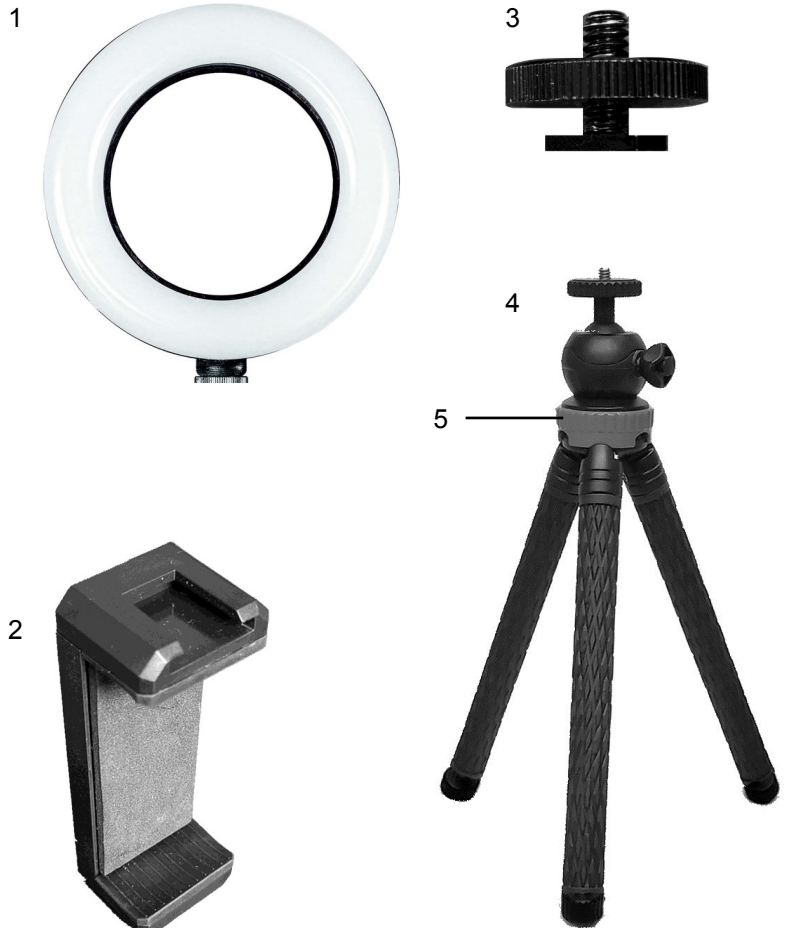
Assembling Your Portable Vlogging Kit:

Your Portable Vlogging Kit is designed for tabletop use and can be set as low as 10 inches and as high as 42 inches.

1. Rotate the Leg Angle Adjustment Ring to change the tripod from Standard Mode to convert the tripod from Standard Mode to Low Angle Mode.
2. Angle the legs accordingly.
3. Attach the Smartphone Adapter to the 1/4"-20 screw on the ball head of your tripod.
4. Slide the Shoe mount Adapter in the built-in shoe mount of your smartphone holder. Rotate the lock knob to secure it.
5. Screw the ring light to the 1/4"-20 screw on your shoe adapter.
6. Connect your ring light to USB power bank or other USB power source (not included)
7. Mount your smartphone by stretching the spring-loaded mount and inserting the smartphone into the mount. When you release the mount, it will tightly clamp your smartphone, keeping it secure.
8. To adjust the height of the tripod, pull out the legs and then rotate the highest leg extension until you hear a click to lock. Repeat this step for the other legs.
9. To retract the legs, rotate the same leg extension, then push up on the foot of each leg until all sections have been closed. Repeat this step for the other legs.

Powering on, and Using the Unit:

1. Connect the ring light to a USB charger or power bank (not included).
2. Press and hold the Power button on the remote.
3. Adjust output intensity by pressing the + or - buttons
4. Change the color temperature by pressing the Color Temperature Switch button. You can switch between Daylight, Tungsten or a combination of both. The ring light has a 3-step light control of 3200°K / 4500°K / 5600°K.



Sunpak Portable Vlogging Kit

Use it anywhere for the perfect Vlogging experience

Portable design with 6 inch USB powered ring light with 72 high power LEDs for even lighting of your subject with great power. The Portable Vlogging Kit is designed for use with today's smartphones. It consists of 36 Daylight LED's and 36 Tungsten LED's, which can both be adjusted for intensity from 100% down to 10%. This kit also includes an 8-section tabletop to 42 inch tripod for easy mounting, as well as a ball head and an adjustable smartphone mount. It can also be used as a handheld portable unit, when keeping the legs closed and using them as a handle.

Features:

- 72 powerful LED lights
 - Daylight LED's: 36
 - Tungsten LED's: 36
- Dimmable for precise output
- Runs cool for close up use
- Great for unique lighting effects, macro and its signature catchlights
- 8-section tripod for tabletop or floor use
- Fits smartphone up to 3 inches wide

Specifications:

- Power; USB 5V Input
- Illumination: 72 high power LEDs
- Light Output: Daylight and Tungsten
- Light Dimensions:
 - Outer: 6 inches
 - Inner: 4.1 inches
- Tripod Height:
 - Minimum: 42 inches
 - Maximum: 9 inches
 - Leg Sections: 8
- Accessories:
 - 72 LED six-inch bi-color ring light;
 - smartphone holder with built-in shoe mount;
 - shoe adapter; tabletop to 42 inch tripod
- Warranty: 1 year limited

Product design and specifications subject to change without notice.



Sunpak One Year Limited Warranty

This Sunpak product has been carefully manufactured, accurately adjusted, inspected and thoroughly tested before shipment to assure you of the highest quality.

Should this product require service, we will repair or replace, at our option, any part or the product itself, which our examination shows to be defective in material or workmanship. This warranty does not apply to wear and tear associated with the normal use of the product. This warranty is non-transferable.

Repairs will be made to the product at no charge, under the terms of the warranty as stated above, only when accompanied by a dated and itemized bill of sale and nominal handling charge.

Be certain to follow all assembly and/or operating instructions with this product. This warranty is not valid if the product has been misused or damaged in any way that is beyond our control or through normal wear and tear associated with use. This warranty applies only to the product and we are not responsible in any way for losses, damages or any inconvenience caused by equipment failure.

Some states do not allow the exclusion or limitation of consequential damages, so the above limitation or exclusion may not apply to you. This warranty gives you specific legal rights and you may have other rights which may vary from state to state.

Should service be required, the product should be carefully packed (in the original packaging if possible) and sent, prepaid and insured, along with a check or money order for \$9.95 (shipping and handling), to the address listed below. A note briefly describing the nature of the defect should also be enclosed to expedite handling.

Proof of purchase and payment for shipping and handling must be included for all warranty repairs.

Sunpak, ToCAD America Inc., 53 Green Pond Road, Rockaway, NJ 07866, Attention Service Department

Safety and Precautions

- Always keep this product dry. Do not use in the rain or in damp conditions.
- Do not use any other power supply other than the original one included with this unit.
- The product contains high-voltage electronic parts. Touching the inside of the high-voltage circuit may result in electric shock. Do not disassemble. Should service be necessary, please send it to the included address in the warranty section for repairs.
- Stop using this product if it breaks open due to impact damage. STRONG electric shock may occur if you touch the internal components.
- Do not leave or store the unit in temperatures above 120°F (as in being stored in a car on in direct sunlight) to avoid damage to internal parts.
- Do not touch the electrical contacts with any type of conductive metals.
- Be sure to secure all connectors and other equipment. Do not misuse the equipment (for example: do not lift your camera by the light, and vice versa)
- In case of abnormal function, sparks, excessive heat, flames or smoke, immediately power off the unit and disconnect the power if possible.